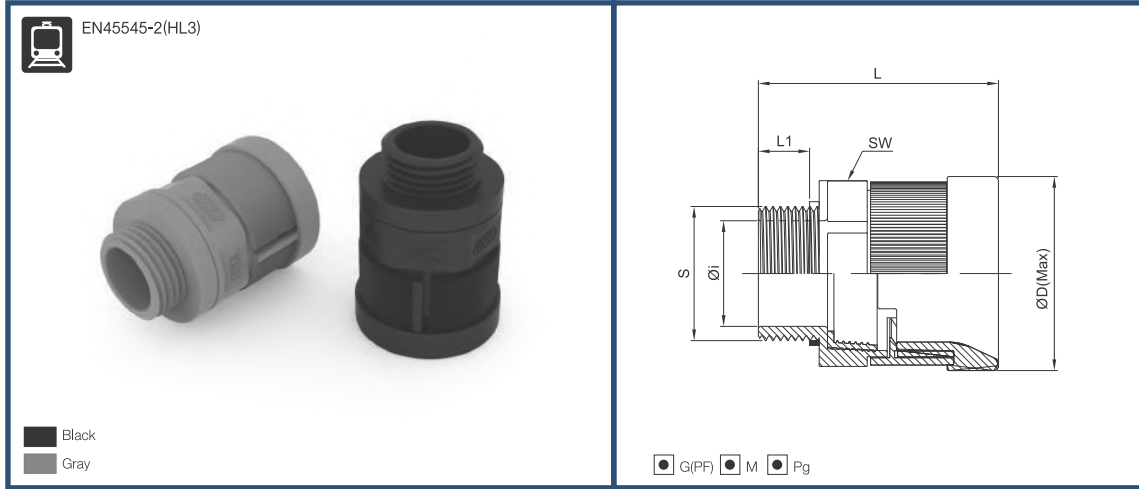


PNCL IP68



- Material : High Quality Polyamide 6
- Degrees of Protection : IP 68 (EN 60529)
- The max. Instantaneous Temperature : -40°C to +105°C
- Short Term : up to +150°C
- Self-Extinguishing : UL94-HB / Free of Halogen Phosphorous and cadmium
- Color : Black & Gray
- Application : Machine tool, Shipbuilding, Tramway, Industrial / Automatic Machinery, Printing Machine etc. Joint box with connector, Connector for jointing into Limit-Switch.

» Product size



PF Thread (JIS B0202)

Black	Gray	Thread	Tube Size	S	L1	L	Øi	ØD	SW
PNCL-G10B	PNCL-G10G	G1/2"	10	20,9	8,0	44,2	12,0	25,0	19,7
PNCL-G12B	PNCL-G12G	G1/2"	12	20,9	8,0	43,1	15,0	27,6	22,8
PNCL-G16B	PNCL-G16G	G1/2"	16	20,9	8,0	45,0	15,2	33,0	28,0

Metric Thread / Straight (EN 60423)

Black	Gray	Thread	Tube Size	S	L1	L	Øi	ØD	SW
PNCL-M10B	PNCL-M10G	M12 X 1,5	10	12,0	8,0	43,5	7,5	25,0	19,7
PNCL-M120B	PNCL-M120G	M16 X 1,5	10	16,0	8,0	43,5	10,0	25,0	19,7
PNCL-M20B	PNCL-M20G	M20 X 1,5	10	20,0	8,0	43,5	12,0	25,0	19,7
PNCL-M102B	PNCL-M102G	M12 X 1,5	12	12,0	8,0	43,1	8,0	27,6	22,8
PNCL-M12B	PNCL-M12G	M16 X 1,5	12	16,0	8,0	43,1	12,0	27,6	22,8
PNCL-M202B	PNCL-M202G	M20 X 1,5	12	20,0	8,0	43,1	15,0	27,6	22,8
PNCL-M126B	PNCL-M126G	M16 X 1,5	16	16,0	8,0	45,0	12,0	33,0	28,0
PNCL-M16B	PNCL-M16G	M20 X 1,5	16	20,0	8,0	45,0	15,2	33,0	28,0
PNCL-M226B	PNCL-M226G	M25 X 1,5	16	25,0	8,0	45,0	17,5	33,0	28,0

Pg Thread / Straight (DIN 40430)

Black	Gray	Thread	Tube Size	S	L1	L	Øi	ØD	SW
PNCL-P09B	PNCL-P09G	Pg09	10	15,2	8,0	43,5	10,0	25,0	19,7
PNCL-P160B	PNCL-P160G	Pg16	10	22,5	8,0	43,5	12,0	25,0	19,7
PNCL-P0912B	PNCL-P0912G	Pg09	12	15,2	8,0	43,1	12,0	27,6	22,8
PNCL-P11B	PNCL-P11G	Pg11	12	18,6	8,0	43,1	12,0	27,6	22,8
PTNCL-P136B	PNCL-P136G	Pg13,5	16	20,4	8,0	45,0	15,2	33,0	28,0
PNCL-P16B	PNCL-P16G	Pg16	16	22,5	8,0	45,0	15,2	33,0	28,0

(Dimensions in mm)

